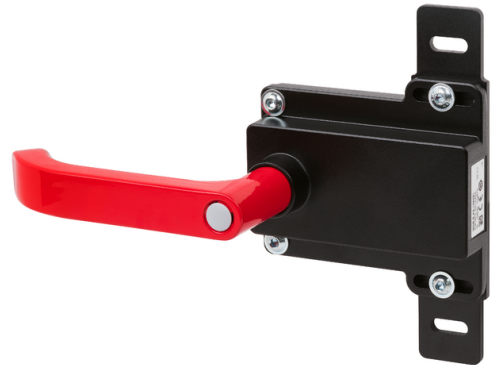


MGB-E-A2-106051 (Order no. 106051)

Escape release module MGB-E... pre-assembled on mounting plate

- ▶ Escape release from the danger zone
- ▶ Mounted on mounting plate
- ▶ Signal red door handle
- ▶ Designed for door profiles up to 40 mm
- ▶ Extended actuation axis for thicker doors (available optionally)



Escape release

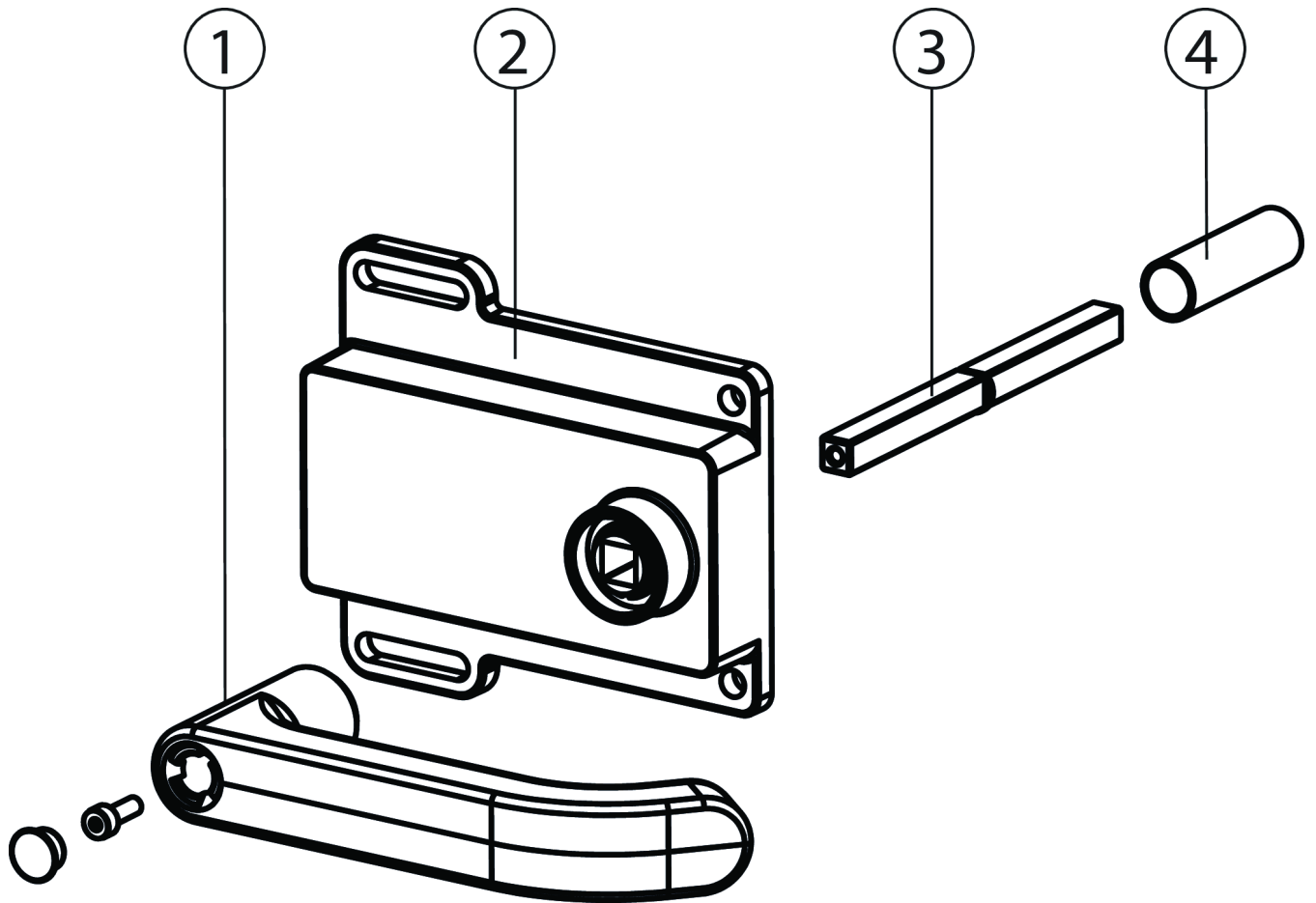
The safety system MGB can be equipped with an escape release module. The escape release enables people shut in to open the locked door from the danger zone. It is only necessary to actuate the door handle.

The actuating direction automatically adapts to the actuating direction of the handle module and does not need to be changed. The actuation axis supplied is suitable for profiles up to 40 mm.

Extended actuation axis

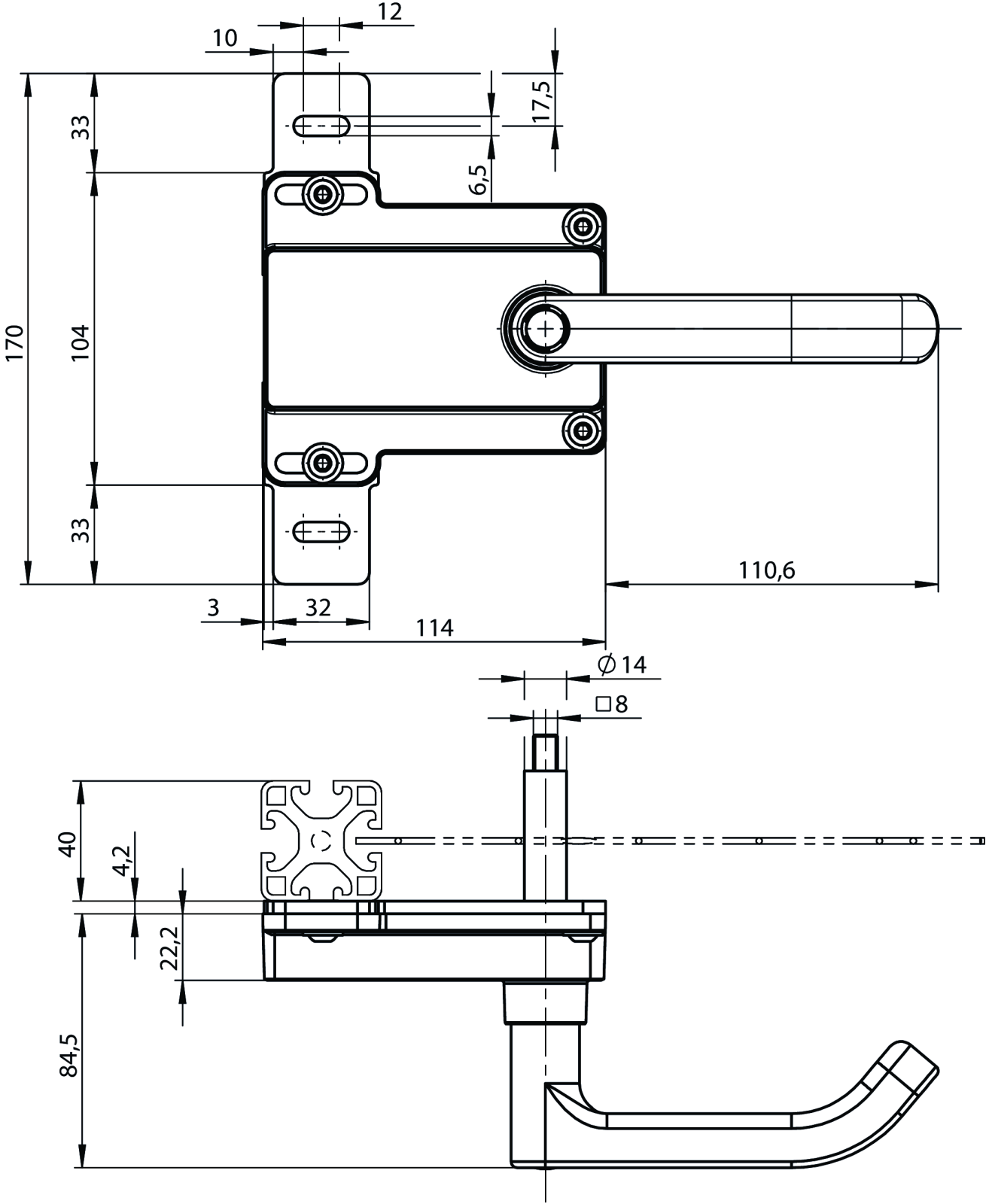
Optionally, for thicker doors or profiles measuring >40 mm, it is possible to order a 250 mm long actuation axis (instead of 115 mm). The axis can be shortened to the required dimension.

Dimensional drawings



- 1 Door handle
- 2 Housing
- 3 Actuation axis 8 x 8 mm
- 4 Protective sleeve

Dimensional drawings



Technical data

Mechanical values and environment

| | |
|--------------------------|--|
| Installation orientation | any |
| Mechanical life | 1 x 10 ⁶ |
| Ambient temperature | -30 ... +55 °C |
| Material | |
| Housing | Die-cast zinc/stainless steel, powder-coated |

Miscellaneous

| | |
|------------------------|---------------------|
| Product version number | V2.0.0 |
| Additional feature | with mounting plate |

Downloads

All documentation for this material can be found on our website:

<https://www.euchner.de/en-us/a/106051/?#downloads-tab>

Ordering data

| | |
|-------------------------------|---|
| Ordernumber | 106051 |
| Item designation | MGB-E-A2-106051 |
| Gross weight | 1,05kg |
| European Article Number (EAN) | 4047048006683 |
| Customs tariff number | 85389099990 |
| ECLASS | 27-27-24-92 Safety-related proximity switch (accessories) |

Accessories

Function expansion

Door handle for MGB-E..., red



156945
AY-DHL-R1-156945

- ▶ Aluminum, red anodized
- ▶ For mounting on all MGB escape release modules from version 2.0.

Door knob for MGB-E/AE-R..., red



157018
AY-DKB-R1-157018

- ▶ Aluminum, red anodized
- ▶ for mounting on all MGB escape release modules from version 2.0.
- ▶ e.g. on sliding doors

Extended actuation axis for MGB-E...



106761
AY-ERS-250-106761